



**ILLUSTRATED PARTS
BREAKDOWN FOR:
SUPER ENDURO
MODEL SE-74
FRAME ASSEMBLY**

(FOR ENGINE PARTS REFER TO P470 BOOK #80602010)

THE
Indian MOTORCYCLE COMPANY

2535 S. Fairfax, Culver City, CA 90230

TABLE OF CONTENT

Section	Title	Page
I	INTRODUCTION	
1-1	Scope of This Manual	1
1-2	Description of Assembly Parts Breakdowns	1
II	ASSEMBLY PARTS BREAKDOWNS	
2-1	Super Enduro Top Assembly	2
2-2	Front Wheel Assembly	10
2-3	Front Fork Assembly	11
2-4	Rear Wheel Assembly	13
2-5	Headlight Assembly	14
2-6	Tail Light Assembly	15
2-16	Wiring Harness	16

INTRODUCTION

1-1. SCOPE OF THIS MANUAL

1-1.1 This illustrated parts book (IPB) applies to the following 70 cc Indian Motorcycle, manufactured by the Indian Motorcycle Company located in Gardena, California:

Year	Model Description	Model No.
1972	Super Enduro	SE-74

1-1.2 The illustrated parts book is the master parts catalog for parts contained within the preceding motorcycle and should be used by Indian Dealers and Distributors for requisitioning (ordering), storing, issuing and identifying parts for the applicable motorcycle. The IPB is divided into two sections: Introduction, and Assembly Parts Breakdowns.

1-2. ASSEMBLY PARTS BREAKDOWN DESCRIPTION — The assembly parts breakdown tables consist of a listing of the complete motorcycle unit into assemblies, subassemblies, major parts, and detailed parts. Each assembly is listed in its logical order of disassembly and is followed immediately by its component parts. Items that are made from raw stock such as lengths of wire, insulating material, grease, sealants and paint are not included in the parts breakdown.

1-2.2 FIGURE AND INDEX NUMBER COLUMN — In this column, the digits preceding the hyphen refer to the figure in the parts breakdown on which a part or assembly is illustrated, the digits following the hyphen are the index numbers of the parts. Parts shown for reference purposes only are not assigned index numbers. The index numbers are numerically arranged in the listing and are used mainly to assist in locating a part in the list.

1-2.3 UNIT PER ASSEMBLY COLUMN — This column lists the quantity of assemblies, subassemblies or parts required of a given part for its

immediately preceding assembly. The quantities specified, therefore are not necessarily the total used per motorcycle. The letters "AR" denote that the selection of parts should be made "As required".

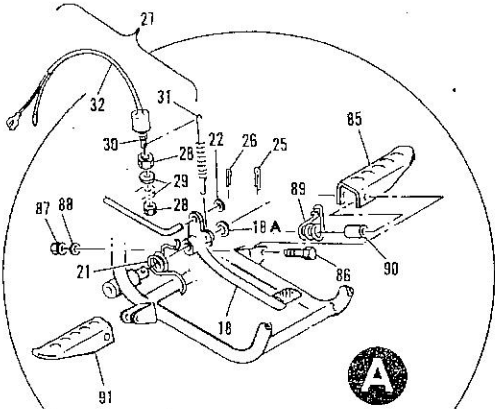
1-2.4 PART NUMBER COLUMN — In this column the computer code and part numbers of assemblies, subassemblies, and component parts are listed. If a part is purchased from a vendor other than Indian, the vendors part number is listed. Part numbers are used exclusively to identify parts. Computer code numbers are used for inventory and procurement control.

1-2.5 DESCRIPTION COLUMN — In this column the description for each assembly, subassembly, or part is listed. This description should be used with the computer code/part number when ordering parts. Components of the assembly are properly indented to show their relationship to the assembly.



THE
Indian
MOTORCYCLE COMPANY

THIS PAGE CONTAINS ITEM
NUMBERS 1 THRU 101



REFER TO TABLE 2-4 FOR
DETAILED BREAKDOWN

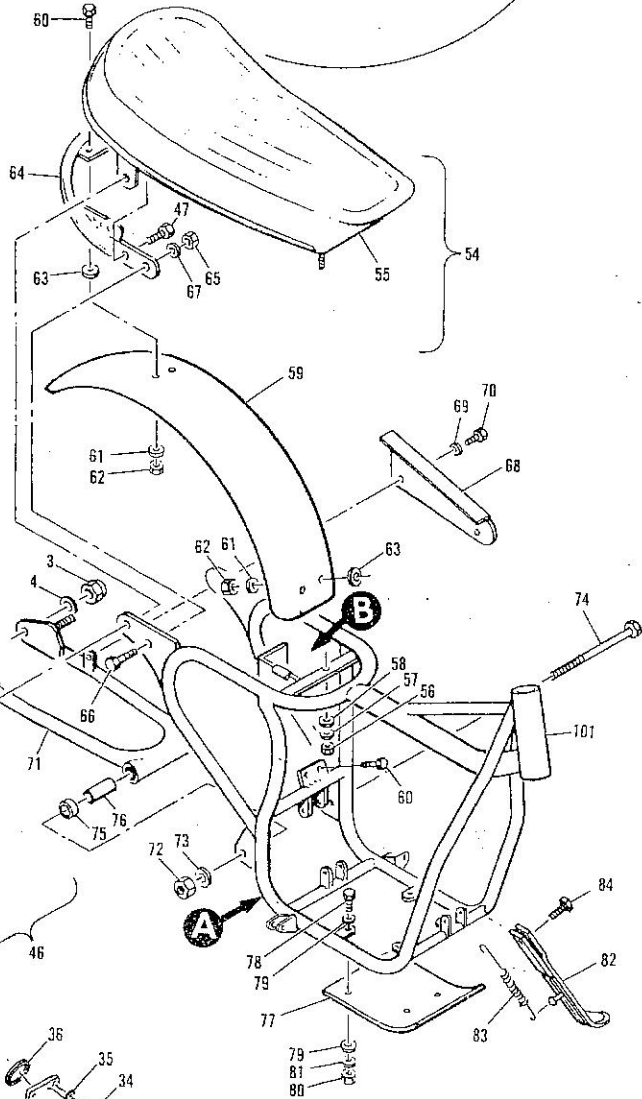
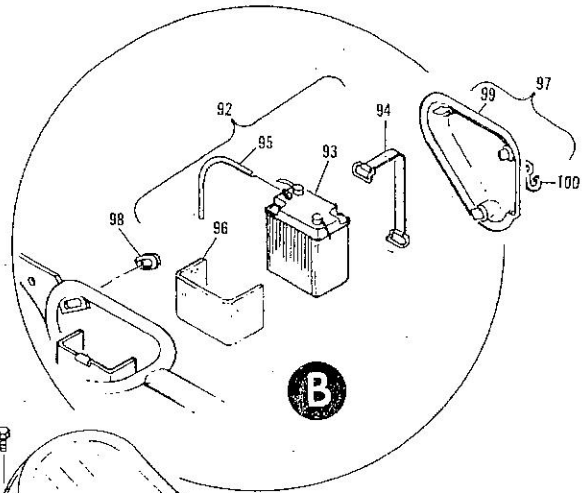
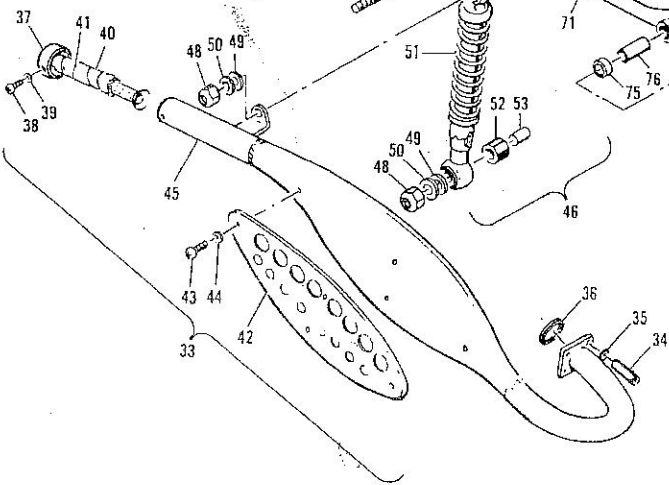
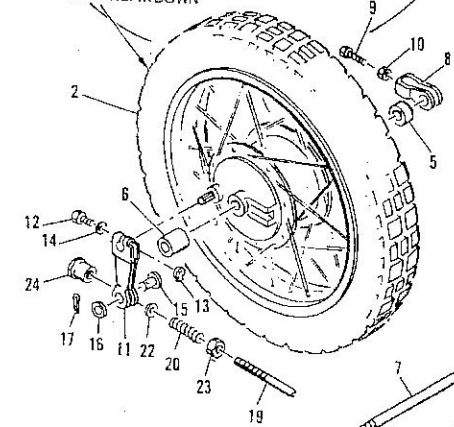


FIGURE 2-1. SUPER ENDURO TOP ASSEMBLY (SHEET 1 of 2)

THIS PAGE CONTAINS ITEM NUMBERS 101 THRU 186

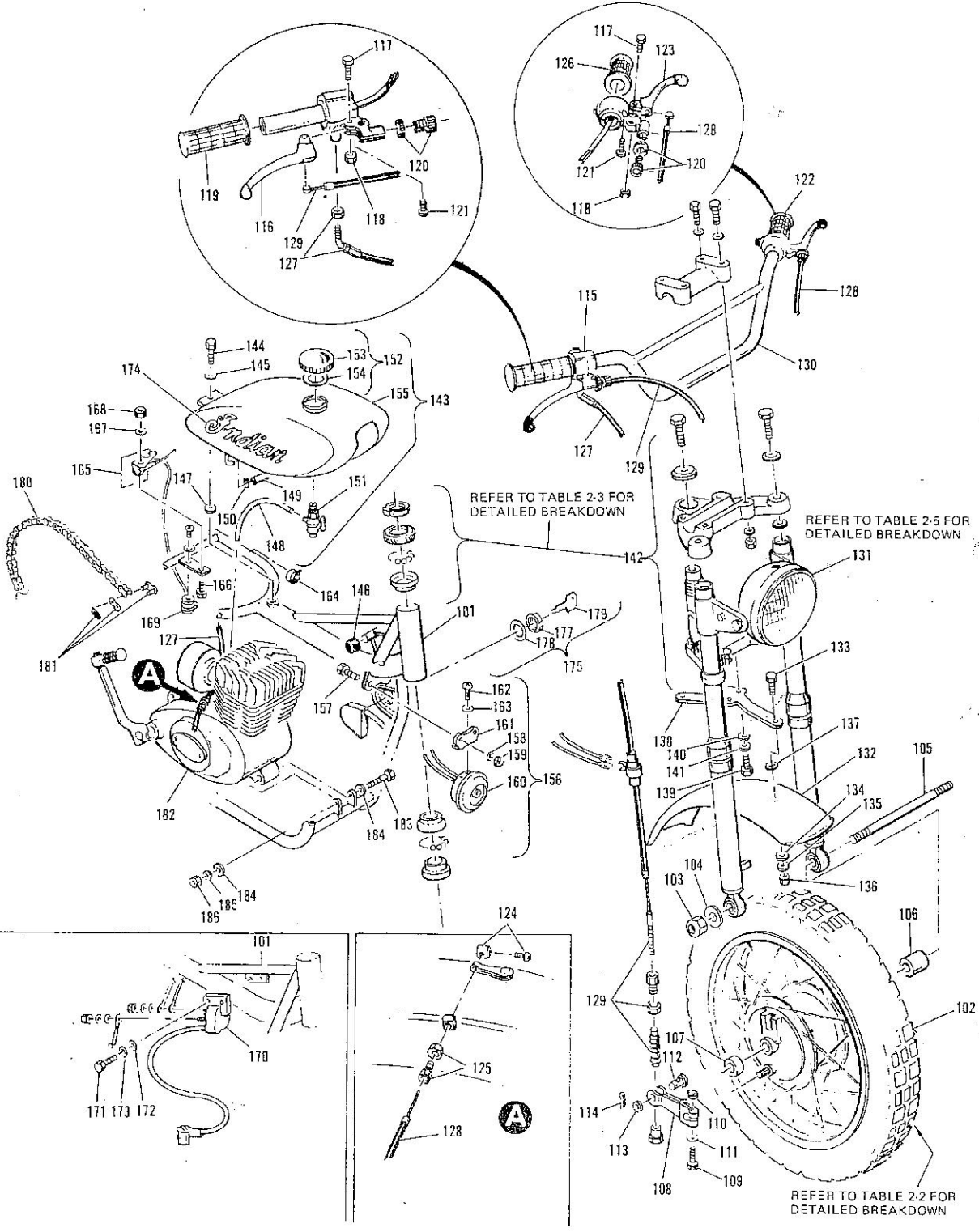


FIGURE 2-1. SUPER ENDURO TOP ASSEMBLY (SHEET 2 of 2)



TABLE 2-1. SUPER ENDURO TOP ASSEMBLY PARTS BREAKDOWN
(SEE FIGURE 2-1)

Fig. & Index No.	Part Number	Units/ Assy	Description	Usable On Code	Dist/Dealer Cost Data
2-1-1	SE-74	1	SUPER ENDURO, Yellow SUPER ENDURO, Candy Red SUPER ENDURO, Orange		
-2	74-0061	1	. REAR WHEEL ASSEMBLY (See Table 2-4 for Detailed Breakdown) (Attaching Parts)		
-3	74-0062	2	. NUT, Rear Axle		
-4	74-0063	2	. WASHER, Rear Axle		
-5	74-0064	1	. SPACER, L/H, Rear Wheel		
-6	74-0065	1	. SPACER, R/H, Rear Wheel		
-7	64-0066	1	. . . AXLE, Rear		
-8	74-0067	2	. . . ADJUSTER, Chain		
-9	74-0068	2	. . . BOLT, Adjuster		
-10	74-0069	2	. . . NUT, Lock, Adjuster		
-11	74-0081	1	. . . ARM, Rear Brake (Attaching Parts)		
-12	74-0082	1	. . . BOLT, Pinch		
-13	74-0083	1	. . . NUT, Pinch Bolt		
-14	74-0084	1	. . . WASHER, Flat		
-15	74-0085	1	. . . PIN, Clevis		
-16	74-0086	1	. . . WASHER, Flat		
-17	74-0087	1	. . . PIN, Cotter *-----*		
-18	74-0214	1	. LEVER, Brake, Rear		
-18A	74-0262	1	. WASHER, Brake Lever		
-19	74-0215	1	. ROD, Brake		
-20	74-0216	1	. SPRING, Brake Rod		
-21	74-0217	1	. SPRING, Brake Lever		
-22	74-0218	1	. WASHER, Brake Rod		
-23	74-0219	1	. NUT, Brake Rod		
-24	74-0220	1	. ADJUSTER, Brake Rod		
-25	74-0221	1	. PIN, Cotter, Brake Lever		
-26	74-0222	1	. PIN, Cotter, Brake Rod		
-27	74-0144	1	. BRAKE LIGHT SWITCH ASSEMBLY (Attaching Parts)		
-28	74-0145	2	. NUT, Mounting		
-29	74-0146	2	. WASHER, Flat, Plastic *-----*		
-30	74-0147	1	. . . SWITCH, Brake Light (Complete with Wiring Harness)		
-31	74-0148	1	. . . SPRING, Brake Light		
-32	74-0147	1	. ELECTRICAL WIRING HARNESS ASSEMBLY		
-33	74-0042	1	. MUFFLER ASSEMBLY (Attaching Parts)		
-34	M43-14	4	. NUT, Header Mount		
-35	M51-126	4	. WASHER, Header Mount		



TABLE 2-1. SUPER ENDURO TOP ASSEMBLY
PARTS BREAKDOWN (Cont'd.)

Fig. & Index No.	Part Number	Units/ Assy	Description	Usable On Code	Dist/Dealer Cost Data
2-1-36	M6-11	1	. GASKET, Header Mount -----*		
-37	74-0045	1	. BODY, Silencer (Attaching Parts)		
-38	74-0043	1	. . SCREW, Silencer Mounting		
-39	74-0044	.1	. . WASHER, Lock, Silencer Mounting -----*		
-40	74-0046	AR	. . PACKING, Silencer		
-41	74-0047	AR	. . WIRE, Silencer Packing		
-42	74-0048	1	. . SHIELD, Exhaust Heat (Attaching Parts)		
-43	74-0049	. 4	. . SCREW, Mounting		
-44	74-0020	4	. . WASHER, Lock		
-45	74-0052	1	. . MUFFLER BODY		
-46	74-0053	2	. . REAR SHOCK ASSEMBLY (Attaching Parts)		
-47	74-0054	2	. BOLT, Top Mounting		
-48	74-0055	2	. NUT, Top 74-0055/1 = Nut, Bottom		
-49	74-0056	6	. WASHER, Flat, Shock Mount (2 Bottom 1 Top)		
-50	74-0057	4	WASHER, Lock Shock Mount -----*		
-51	74-0058	2	. . SHOCK BODY, Rear		
-52	74-0059	2	. . GROMMET, Rubber		
-53	74-0060	2	. . BUSHING, Rear Shock		
-54	74-0110	1	. SEAT ASSEMBLY		
-55	74-0111	1	. . SEAT, Seat Cover Serigraphed Indian (Attaching Parts)		
-56	74-0112	1	. . NUT, Seat Holding		
-57	74-0113	1	. . WASHER, Lock		
-58	74-0114	1	. . WASHER, Flat -----*		
-59	74-0256/Y " /R " /O	1	. FENDER, Rear Yellow . FENDER, Rear, Candy Red . FENDER, Rear, Orange (Attaching Parts)		
-60	74-0127	4	. BOLT, Rear Fender Mounting		
-61	74-0020	4	. WASHER, Lock		
-62	74-0130	4	. NUT, Rear Fender Mounting		
-63	74-0131	4	. GROMMET, Rubber -----*		
-64	74-0134	1	. BRACE, Rear Fender (Attaching Parts)		
-65	74-0135	2	. NUT		
-66	74-0136	2	. BOLT		
-67	74-0137	2	. WASHER, Lock -----*		





TABLE 2-1. SUPER ENDURO TOP ASSEMBLY
PARTS BREAKDOWN (Cont'd.)

Fig. & Index No.	Part Number	Units/ Assy	Description	Usable On Code	Dist/Dealer Cost Data
2-1-68	74-0230	1	. CHAIN GUARD (Attaching Parts)		
-69	74-0231	2	. WASHER, Flat		
-70	74-0232	2	. BOLT, Chain Guard -----*		
-71	74-0245	1	. SWING ARM, Rear (Attaching Parts)		
-72	74-0242	1	. NUT, Swing Arm		
-73	74-0243	1	. WASHER, Swing Arm Bolt		
-74	74-0244	1	. BOLT, Swing Arm -----*		
-75	74-0246	2	. BUSHING, Swing Arm		
-76	74-0259	1	. SPACER TUBE, Swing Arm		
-77	74-0233	1	. SPLASH PLATE (Attaching Parts)		
-78	74-0234	4	. BOLT, Mounting		
-79	74-0236	8	. WASHER, Flat		
-80	74-0237	4	. NUT, Mounting		
-81	74-0020	4	. WASHER, Lock -----*		
-82	74-0239 74-0239/1	1	. KICK STAND Kickstand, Tubular (new)		
-83	74-0240	1	. SPRING, Kick Stand		
-84	74-0241/1 74-0241/2	1	. BOLT, Mounting Nut, Mounting		
-85	74-0223	1	. FOOT PEG, L/H (Attaching Parts)		
-86	74-0225	2	. BOLT, Foot Peg		
-87	74-0226	2	. NUT, Foot Peg		
-88	74-0227	2	. WASHER, Flat		
-89	74-0228	2	. SPRING, Return		
-90	74-0229	2	. SPACER, Foot Peg -----*		
-91	74-0224	1	. FOOT PEG, R/H		
-92	74-0161	1	. BATTERY ASSEMBLY (Complete with Wiring Harness)		
-93	74-0162	1	. BATTERY, 6 Volt		
-94	74-0163	1	. STRAP, Battery Holding		
-95	74-0164	1	. TUBE, Over Flow		
-96	74-0165	1	. FOAM, Battery Mounting		
-97	74-0166	1	. SIDE PLATE ASSEMBLY, L/H		
-98	74-0167	3	. GROMMET, Rubber		
-99	74-0168	1	. SIDE PLATE w/o Decal		
-100	74-0169	1	. DECAL, "SE-74", Red, Specify color . DECAL, "SE-74", Gold " " . DECAL, "SE-74", White " "		
-101	74-0252	1	. FRAME, Central		



TABLE 2-1. SUPER ENDURO TOP ASSEMBLY PARTS BREAKDOWN (Cont'd.)

Fig. & Index No.	Part Number	Units/ Assy	Description	Usable On Code	Dist/Dealer Cost Data
2-1-102	74-0097	1	FRONT WHEEL ASSEMBLY (Refer to Table 2-2 for Detailed Breakdown)		
			(Attaching Parts)		
-103	74-0062	2	NUT, Front Axle		
-104	74-0063	2	WASHER, Front Axle		
			-----*		
-105	74-0098	1	AXLE, Front		
-106	74-0099	1	SPACER, L/H		
-107	74-0100	1	SPACER, R/H		
-108	74-0081	1	ARM, Front Brake		
			(Attaching Parts)		
-109	74-0082	1	BOLT, Pinch		
-110	74-0083	1	NUT, Pinch Bolt		
-111	74-0084	1	WASHER, Flat		
-112	74-0085	1	PIN, Clevis		
-113	74-0086	1	WASHER, Flat		
-114	74-0087	1	PIN, Cotter		
			-----*		
-115	74-0138	1	RIGHT HAND CONTROL ASSEMBLY (Complete with Wiring Harness)		
-116	74-0036	1	LEVER, Front Brake, R/H		
			(Attaching Parts)		
-117	74-0033	2	BOLT, Lever		
-118	74-0034	2	NUT, Lever		
			-----*		
-119	74-0038	1	GRIP, Throttle Control, R/H		
-120	74-0039	2	ADJUSTER, Cable		
-121	74-0040	4	SCREW, Handle Bar Control		
-122	74-0139	1	LEFT HAND CONTROL ASSEMBLY (Complete with Wiring Harness)		
-123	74-0035	1	LEVER, Clutch, L/H		
-124	667/1	1	NUT, Cable		
-125	667/2	1	ADJUSTER, Cable		
-126	74-0037	1	GRIP, Clutch, L/H		
-127	74-0170	1	CABLE, Throttle		
-128	74-0171	1	CABLE, Clutch		
-129	74-0172	1	CABLE, Front Brake		
-130	74-0173	1	HANDLE BARS		
-131	74-0001	1	HEAD LIGHT ASSEMBLY (Refer to Table 2-5 for Detailed Breakdown)		
-132	74-0133/Y	1	FENDER, Front, Yellow		
	74-0133/R		FENDER, Front, Candy Red		
	74-0133/O		FENDER, Front, Orange		
			(Attaching Parts)		
-133	74-0127	2	BOLT, Bracket-To-Fender		
-134	74-0128	2	WASHER, Flat		
-135	74-0020	2	WASHER, Lock		





TABLE 2-1. SUPER ENDURO TOP ASSEMBLY
PARTS BREAKDOWN (Cont'd.)

Fig. & Index No.	Part Number	Units/ Assy	Description	Usable On Code	Dist/Dealer Cost Data
2-1-136	74-0130	2	. NUT, Bracket-To-Fender		
-137	74-0131	2	. GROMMET, Rubber -----*		
-138	74-0132	1	. BRACKET, Front Fender (Attaching Parts)		
-139	74-0127	3	. BOLT, Front Fender Mounting Bracket		
-140	74-0128	3	. WASHER, Flat Fender Mounting Bracket		
-141	74-0020	3	. WASHER, Lock -----*		
-142	74-0174	1	. FRONT FORK ASSEMBLY (Refer to Table 2-3 for Detailed Breakdown)		
-143	74-0115	1	. TANK ASSEMBLY (Attaching Parts)		
-144	74-0116	1	. BOLT, Mounting		
-145	74-0117	1	. WASHER, Flat -----*		
-146	74-0251	2	. . GROMMET, Tank Mounting		
-147	74-0118	1	. . GROMMET, Rubber		
-148	74-0119	1	. . LINE, Gas		
-149	74-0120	1	. . LINE, Balance		
-150	74-0121	4	. . CLAMPS, Gas & Balance Line		
-151	74-0122	1	. . PETCOCK, Gas, Two-Way (74-0122/1 = Sediment Bowl)		
-152	74-0123	1	. . GAS CAP ASSEMBLY		
-153	74-0124	1	. . . GAS CAP		
-154	74-0125	1	. . . GASKET, Gas Cap		
-155	74-0126/Y	1	. . . BODY, Gas Tank Yellow		
	74-0126/R		. . . BODY, Gas Tank Candy Red		
	74-0126/O		. . . BODY, Gas Tank Orange		
-156	74-0150	1	. HORN ASSEMBLY (Complete with Wiring Harness) (Attaching Parts)		
-157	74-0151	2	. BOLT, Mounting		
-158	74-0020	2	. WASHER, Lock		
-159	74-0153	2	. NUT, Mounting -----*		
-160	74-0154	1	. . HORN, Electrical (Complete with Wiring Harness)		
-161	74-0155	1	. . BRACKET, Horn (Attaching Parts)		
-162	74-0156	2	. . SCREW, Phillip Head		
-163	74-0157	2	. . WASHER, Lock -----*		
-164	74-0158	4	. GUIDE, Cable & Wiring		
-165	74-0159	1	. RECTIFIER, DC 11V (Complete with Wiring Harness) (Attaching Parts)		



TABLE 2-1. SUPER ENDURO TOP ASSEMBLY
PARTS BREAKDOWN (Cont'd.)

Fig. & Index No.	Part Number	Units/ Assy	Description	Usable On Code	Dist/Dealer Cost Data
2-1-166	74-0151	1	. BOLT, Mounting		
-167	74-0152	1	. WASHER, Lock		
-168	74-0153	1	. NUT, Mounting		
			-----*		
-169	74-0160	1	. COIL, Choke (Complete with Mounting Hardware & Wiring Harness)		
-170	23001168	1	. COIL, Ignition (Attaching Parts)		
-171	74-0141	2	. SCREW, Phillips Head		
-172	74-0142	2	. WASHER, Flat		
-173	74-0143	2	. WASHER, Lock		
			-----*		
-174	74-0253/R	1	. DECAL, Red		
	74-0253/W	1	. DECAL, White		
	74-0253/G	1	. DECAL, Gold		
-175	74-0140	1	. Ignition Assembly (Complete with Wiring Harness, Keys, Lock Nut & Washer)		
-176	74-0261	1	SWITCH, Ignition		
-177	74-0255	1	NUT, Ignition Switch		
-178	74-0257	1	WASHER, Flat Ignition Switch		
-179	74-0258	1	KEY, Ignition w/l.D. Number of Switch . . .	1021	
-180	74-0254	1	. CHAIN, Type 420 14T/34T	1102	
-181	50-420/1	1	. LINK, Master 420	3425	
	50-420/2	1	. LINK, Half 420	7087	
-182	21201001	1	. ENGINE ASSEMBLY, P470 (Attaching Parts)	7708	
-183	74-0247	3	. BOLT, Engine Mounting		
-184	74-0248	6	. WASHER, Flat		
-185	74-0249	3	. WASHER, Lock		
-186	74-0250	3	. NUT, Engine Mounting		
			-----*		





TABLE 2-2. FRONT WHEEL ASSEMBLY PARTS BREAKDOWN
(SEE FIGURE 2-2)

Fig. & Index No.	Part Number	Units/ Assy	Description	Usable On Code	Dist/Dealer Cost Data
REF	74-0097	1	FRONT WHEEL ASSEMBLY (See Table 2-1 for NHA)		
2-2-1	74-0101	1	BACKING PLATE, Front and Rear		
-2	74-0080	2	SPRING, Brake Shoe		
-3	74-0079	2	BRAKE SHOE, Front		
-4	74-0088	1	CAM, Front Brake		
-5	74-0073	2	BEARINGS, Front Wheel		
-6	74-0074	2	SHIM BEARING, Front		
-7	74-0102	1	SPACER INNER, Front		
-8	74-0106	1	HUB, Front		
-9	74-0104	18	SPOKE, Outer		
-10	74-0103	18	SPOKE, Inner		
-11	74-0091	36	NIPPLES		
-12	80311001	1	TIRE, 2.75 x 16 Inch Trials		
-13	80401002	1	TUBE, 2.75 x 16 Inch		
-14	74-0105	1	RIM, 16 Inch		
-15	74-0109	1	TAPE, Rim, 16 Inch		

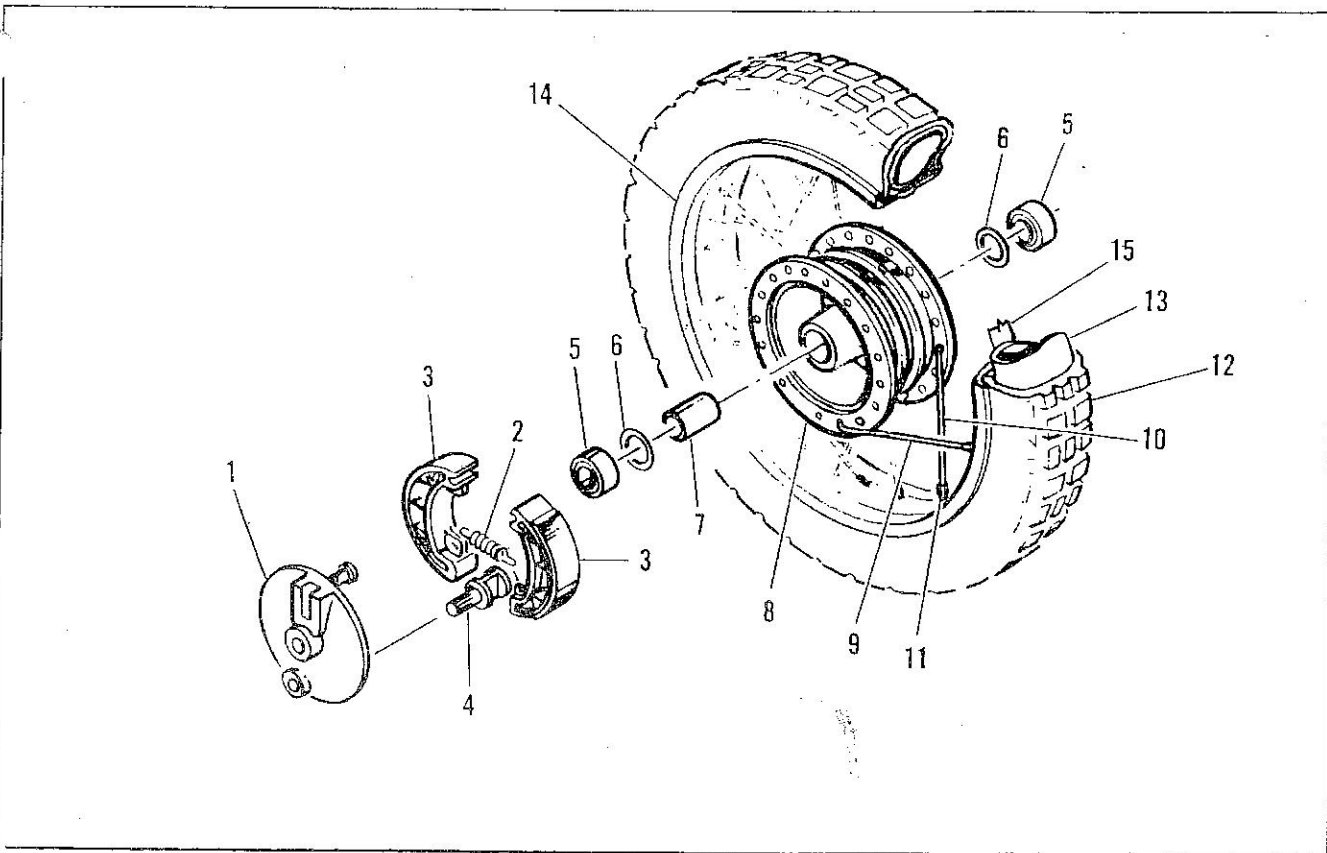


FIGURE 2-2. FRONT WHEEL ASSEMBLY, EXPLODED VIEW



**TABLE 2-3. FRONT FORK ASSEMBLY PARTS BREAKDOWN
(SEE FIGURE 2-3)**

Fig. & Index No.	Part Number	Units/ Assy	Description	Usable On Code	Dist/Dealer Cost Data
REF	74-0174	1	FRONT FORK ASSEMBLY (See Table 2-1 for NHA)		
2-3-1	74-0175	1	FORK CROWN ASSEMBLY (Attaching Parts)		
-2	74-0176	2	BOLT, Fork Tube		
-3	74-0177	2	WASHER, Flat, Fork Tube		
-4	74-0178	1	BOLT, Steering Column		
-5	74-0179	1	WASHER, Flat, Steering Column		
			*		
-6	74-0180	1	PLATE, Fork Crown		
-7	74-0181	1	CLAMP, Handle Bar (Attaching Parts)		
-8	74-0182	2	BOLT, Handle Bar Clamp		
-9	74-0183	4	WASHER, Lock Clamp		
-10	74-0182/1	2	BOLT, Handle Bar Clamp		
-11	74-0237	2	NUT, Handle Bar Clamp		
-12	74-0236	2	WASHER, Clamp		
			*		
-13	74-0184	1	NUT, Steering Column		
-14	74-0185	1	RACE, Upper-Upper Steering Bearing		
-15	74-0186	1	RACE, Upper-Lower Steering Bearing		
-16	74-0187	23	BALL BEARING, Top Steering		
-17	74-0189	1	RACE, Bottom Upper Steering Bearing		
-18	74-0190	1	RACE, Bottom Lower Steering Bearing		
-19	74-0188	18	BALL BEARING, Bottom Steering		
-20	74-0191	1	TRIPLE CLAMP ASSEMBLY (Attaching Parts)		
-21	74-0192	2	BOLT, Pinch		
-22	74-0193	2	WASHER, Lock, Pinch Bolt		
-23	74-0194	1	GUIDE, Cable		
			*		
-24	74-0195	1	TRIPLE CLAMP		
-25	74-0196	2	BRACKET, Headlight (Attaching Parts)		
-26	74-0197	2	BOLT, Bracket Mounting		
-27	74-0128	2	WASHER, Flat		
			*		
-28	74-0198	1	FORK ASSEMBLY, R/H		
	74-0199	1	FORK ASSEMBLY, L/H		
-29	74-0200	2	COVER, Dust		
-30	74-0201	2	"O" Ring		
-31	74-0202	2	SEAL, Fork		
-32	74-0203	2	NUT, Fork		
-33	74-0204	2	CLIP, Fork Tube		
-34	74-0205	2	SLIDER, Fork		
-35	74-0206	2	FORK TUBE AND PISTON ASSEMBLY		
-36	74-0207	2	SPRING, Fork		
-37	74-0208	1	FORK LEG, Lower Left		
-38	74-0209	2	"O" RING, Fork Drain		





TABLE 2-3. FRONT FORK ASSEMBLY PARTS BREAKDOWN (Cont'd.)

Fig. & Index No.	Part Number	Units/ Assy	Description	Usable On Code	Dist/Dealer Cost Data
2-3-39	74-0210	2	SCREW, Fork Drain		
-40	74-0211	2	ROD, Damping		
-41	74-0212	1	FORK LEG, Lower, Right		
-42	74-0213	2	"O" RING, Lower Fork Leg, Drain		

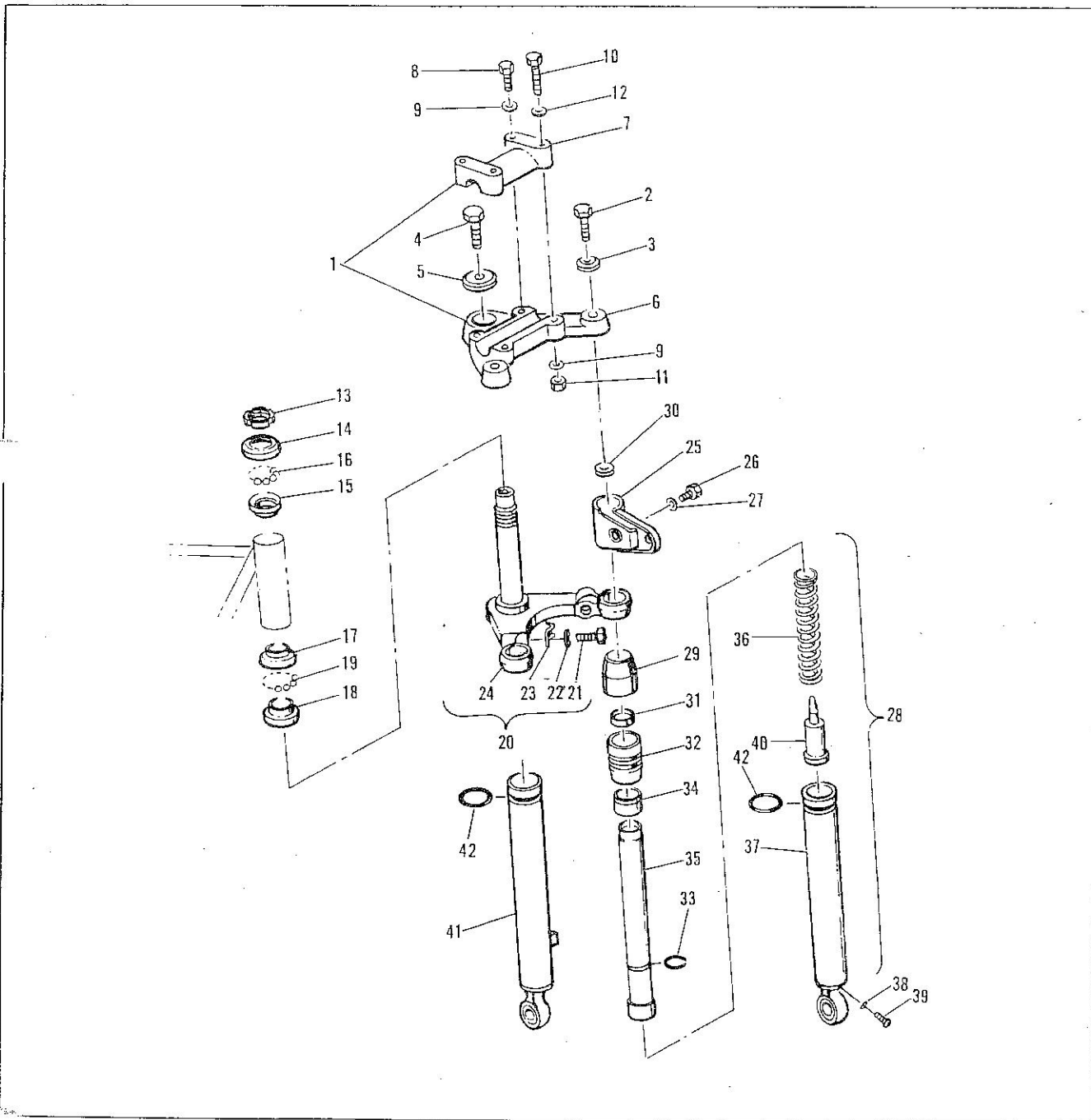


FIGURE 2-3. FRONT FORK ASSEMBLY



TABLE 2-4. REAR WHEEL ASSEMBLY PARTS BREAKDOWN
(SEE FIGURE 2-4)

Fig. & Index No.	Part Number	Units/ Assy	Description	Usable On Code	Dist/Dealer Cost Data
REF	74-0061	1	REAR WHEEL ASSEMBLY (See Table 2-1 for NHA)		
2-4-1	74-0101	1	BACKING PLATE		
-2	74-0080	2	SPRING, Brake Shoe		
-3	74-0079	2	BRAKE SHOE, Rear		
-4	74-0088	1	CAM, Rear Brake		
-5	74-0077	1	RING, Snap, Rear Sprocket		
-6	740070134	1	SPROCKET, Rear 34 T	740070148 = 48T	STEEL SPROCKETS
	740070136	1	SPROCKET, Rear 36 T	740070150 = 50T	
	740070138	1	SPROCKET, Rear 38 T	740070152 = 52T	
	740070140	1	SPROCKET, Rear 40 T	740070154 = 54T	
	740070142	1	SPROCKET, Rear 42 T	740070156 = 56T	
	740070145	1	SPROCKET, Rear 45 T		
-7	74-0071	4	BOLT, Rear Sprocket	NOTE: Sprockets are also available in aluminum, specify on order	
-8	74-0072	4	NUT, Rear Sprocket		
-9	74-0076	2	RING, Lock, Rear Sprocket		
-10	74-0073	2	BEARING, Rear Wheel		
-11	74-0074	2	SHIM, Bearing		
-12	74-0075	1	SPACER, Inner Rear Wheel		
-13	74-0092	1	HUB, Rear		
-14	74-0090	18	SPOKE, Outer		
-15	74-0089	18	SPOKE, Inner		
-16	74-0091	36	NIPPLES		
-17	74-0093	1	RIM, 15 Inch		
-18	80311004	1	TIRE, 3.25 x 15 Inch Trials		
	80301007	1	" " " " Knobby		
-19	80401006	1	TUBE, 3.25 x 15 Inch		
-20	74-0096	1	TAPE, Rim, 15 Inch		

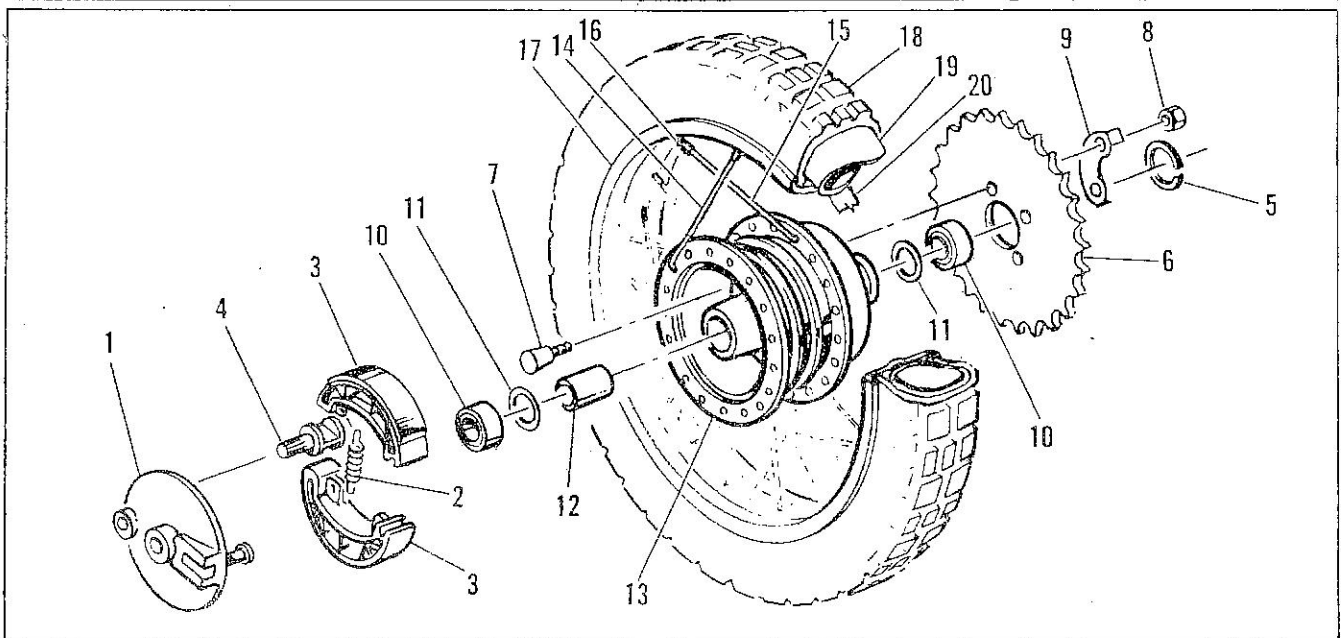


Figure 2-4. Rear Wheel Assembly, Exploded View





TABLE 2-5. HEADLIGHT ASSEMBLY PARTS BREAKDOWN
(SEE FIGURE 2-5)

Fig. & Index No.	Part Number	Units/ Assy	Description	Usable On Code	Dist/Dealer Cost Data
REF	74-0001	1	HEAD LIGHT ASSEMBLY (See Table 2-1 for NHA)		
2-5-1	74-0007	1	RING, Sealed Beam		
-2	74-0002	1	SCREW, Sealed Beam Headlight Ring		
-3	74-0005	4	CLIPS, Retaining, Sealed Beam		
-4	74-0006	1	SEALED BEAM		
-5	74-0004	1	BULB, Sealed Beam, 6V/15W-6V/20W		
-6	74-0003	1	SOCKET, Sealed Beam		
-7	74-0008	1	SOCKET, High Beam Indicator		
-8	74-0009	1	BULB, High Beam Indicator, 6 Volt/3W		
-9	74-0012	1	NUT, Lens		
-10	74-0011	2	WASHER, Lens		
-11	74-0010	1	LENS, High Beam		
-12	74-0017	1	GROMMET, Rubber Headlight Wiring		
-13	74-0013	1	BODY, Head Light		
-14	74-0014	2	BOLT, Mounting		
-15	74-0016	2	WASHER, Lock		
-16	74-0015	2	WASHER, Flat		

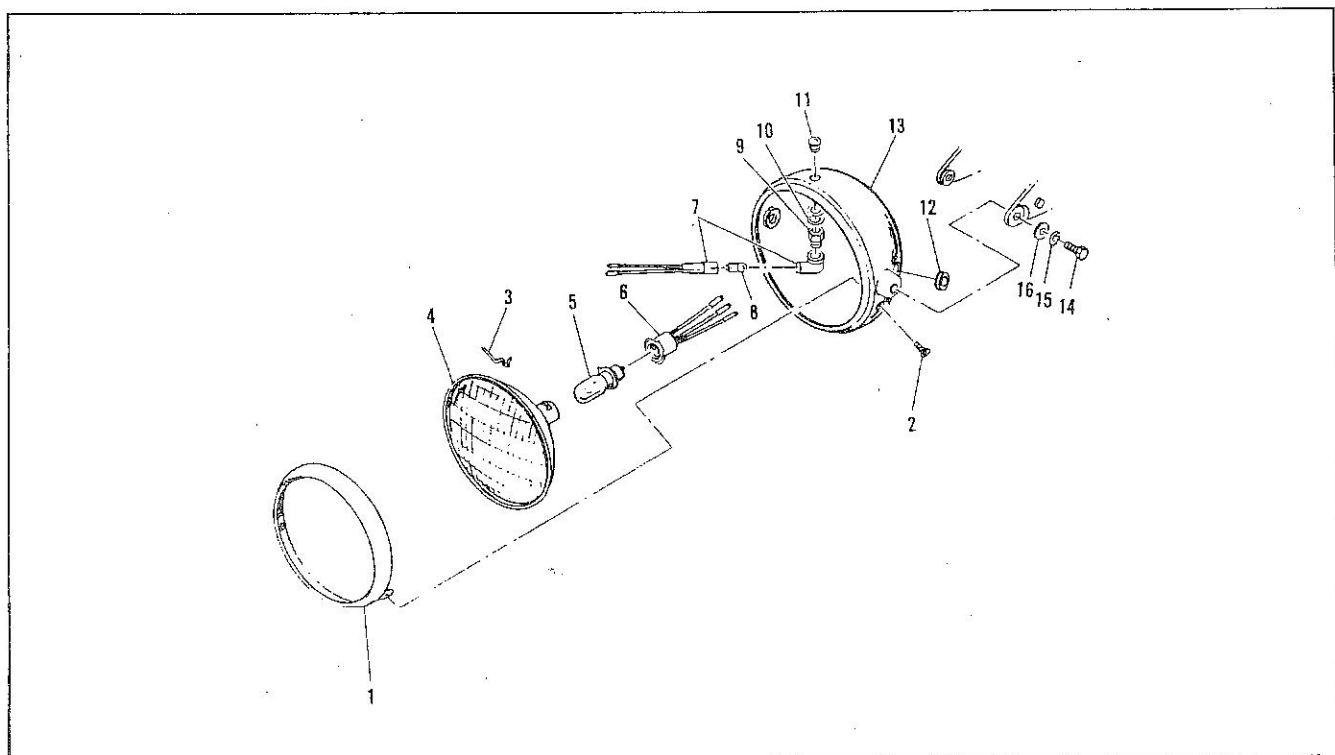


FIGURE 2-5. HEADLIGHT ASSEMBLY



TABLE 2-6. TAIL LIGHT ASSEMBLY PARTS BREAKDOWN
(SEE FIGURE 2-6)

Fig. & Index No.	Part Number	Units/ Assy	Description	Usable On Code	Dist/Dealer Cost Data
REF	74-0018	1	TAIL LIGHT ASSEMBLY (See Table 2-1 for NHA)		
2-6-1	74-0023	1	LENS, Tail Light (Attaching Parts)		
-2	74-0022	2	SCREWS, Mounting, Tail Light		
-3	74-0025	1	GASKET, Tail Light Lens		
-4	74-0030	1	BODY, Lens (Attaching Parts)		
-5	74-0027	2	SCREW, Bracket, Tail Light		
-6	74-0028	2	WASHER, Lock Bracket Tail Light		
-7	74-0029	1	GASKET, Bracket, Tail Light		
-8	74-0024	1	BULB, 6V10/3W, Tail Light		
-9	74-0031	1	WIRING HARNESS, Tail Light		
-10	74-0032	1	SPRING, Tail Light Socket		
-11	74-0026	1	BRACKET, Tail Light Mounting (Attaching Parts)		
-12	74-0019	2	BOLT, Mounting		
-13	74-0021	2	NUT, Mounting		
-14	74-0020	2	WASHER, Lock		

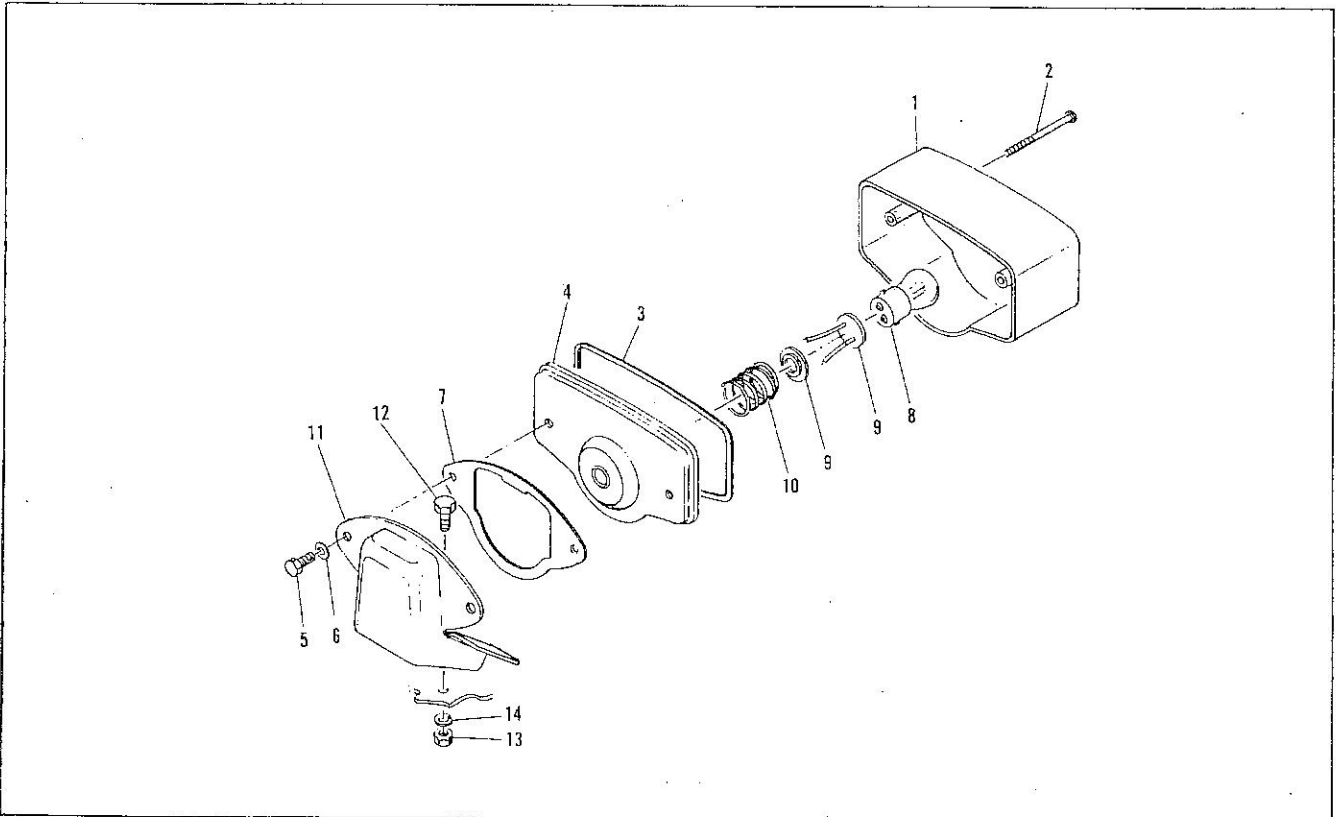


FIGURE 2-6. TAIL LIGHT ASSEMBLY





TABLE 2-16. WIRING HARNESS ASSEMBLY (SEE FIGURE 2-16)

Fig. & Index No.	Part Number	Units/ Assy	Description	Usable On Code	Dist/Dealer Cost Data
2-16-1	74-0149	1	ELECTRICAL WIRING HARNESS ASSEMBLY (See Service Bulletin #119)		
-2	74-0078	1	HOLDER, Fuse		
-3	74-0260	1	FUSE		

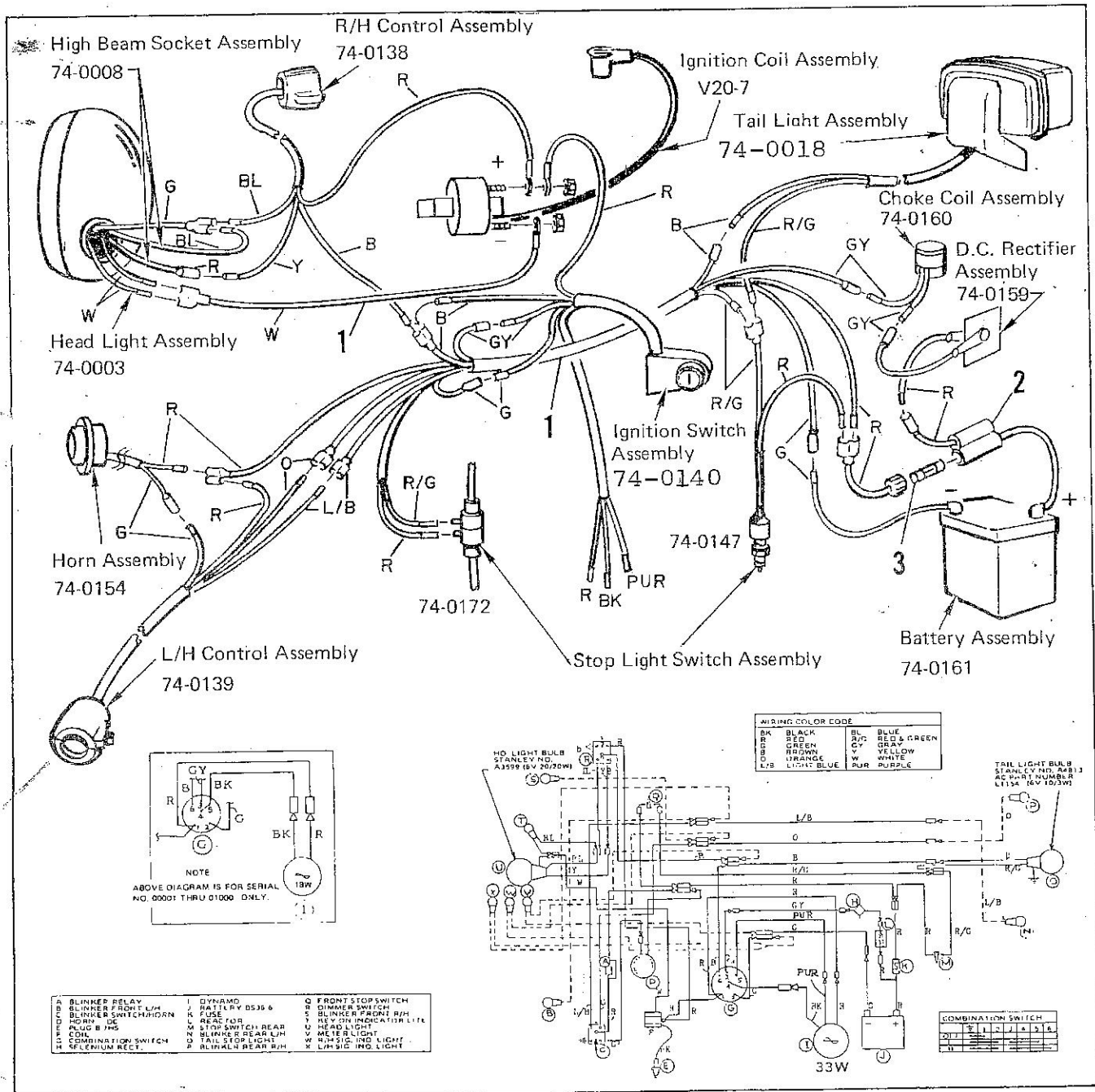


FIGURE 2-16. WIRING HARNESS ASSEMBLY

