

SERVICE BULLETIN



THE *Indian* MOTORCYCLE COMPANY

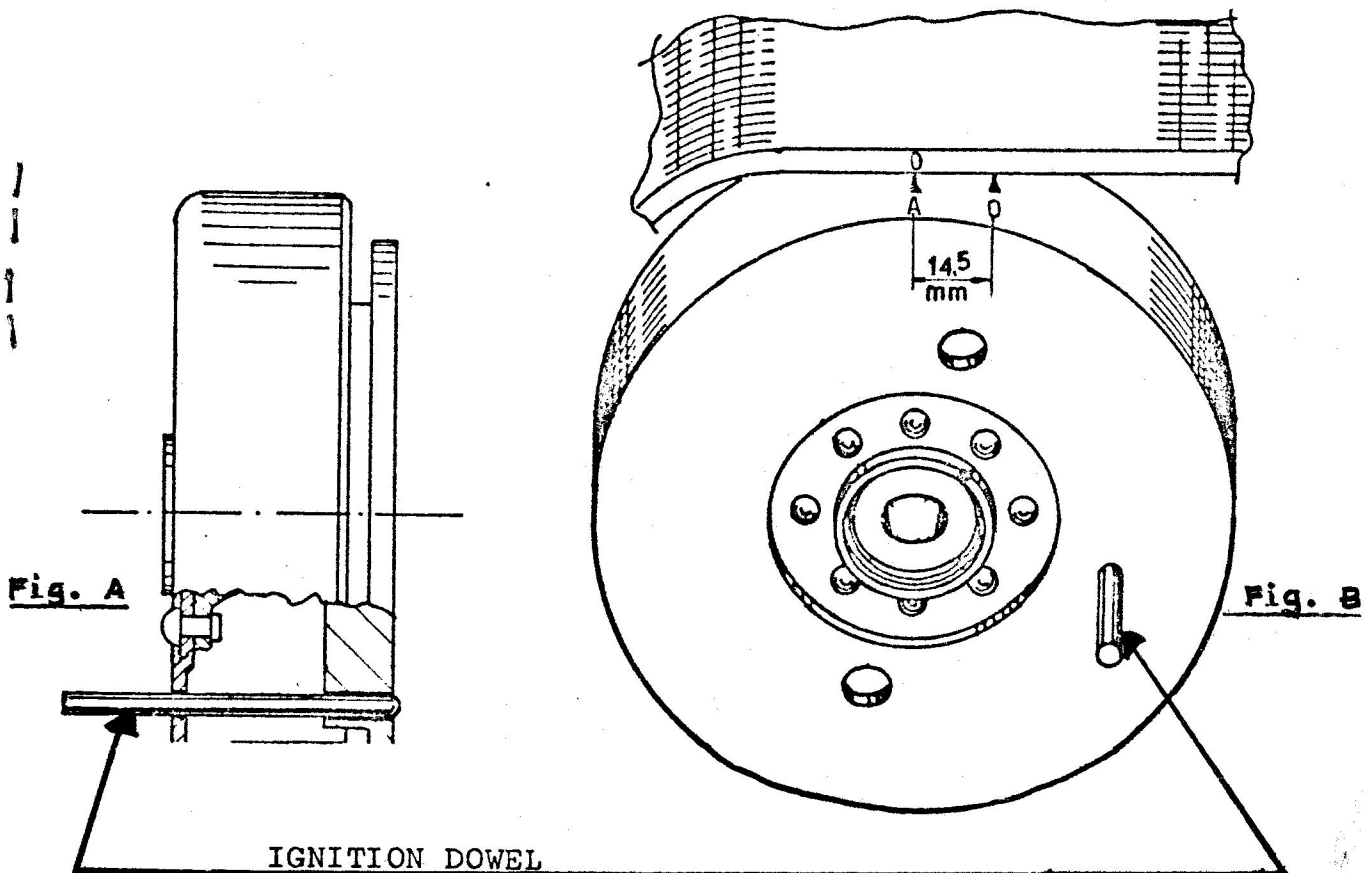
Bulletin No. SVB-118

Model P450, P470, P670 Engine

Subject Installation
Electronic Magneto

Date 8-8-72

- e) make sure that arrow "A" coincides with the reference mark on the crankcase, corresponding to the spark advance. Should point A not correspond to the reference mark on the crankcase, it is necessary to dismantle the rotating part of the magneto and to loosen the 3 securing screws as to be able to move the plate as necessary, repeating the operations stated on points c) and d) until you have arrow "A" coincide exactly with the reference mark on the crankcase.



Parts Necessary to Convert to the Electronic Ignition System

<u>Part Number</u>	<u>Description</u>	<u>Quantity</u>
M51-132	Transducer	1
M51-131	Flywheel	1
5/32 Ignition Pin	Ignition Dowel Pin	1

