

# SERVICE BULLETIN

**Bulletin No.** SVB-118

**Model** P450, P470, P670 Engine

**Subject** Installation  
Electronic Magneto

**Date** 8-8-72

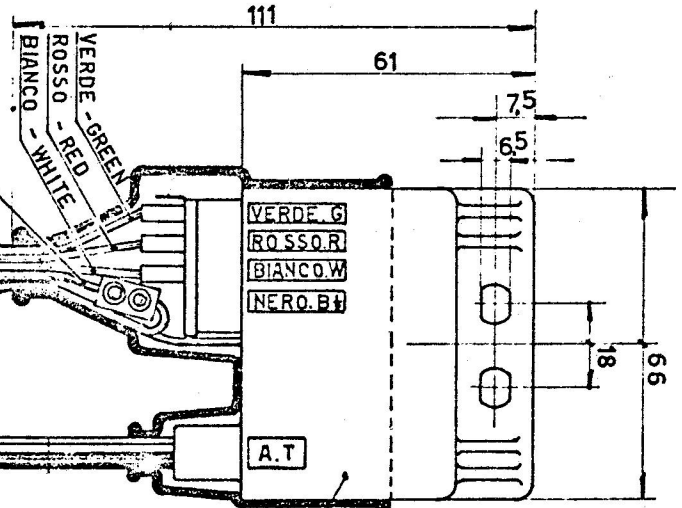


THE  
*Indian*  
MOTORCYCLE COMPANY

NOTE: NEVER "KICK" ENGINE  
OVER WITH OUT GROUNDING  
OUT SPARK PLUG

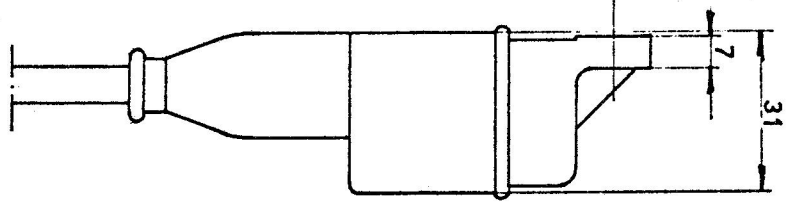
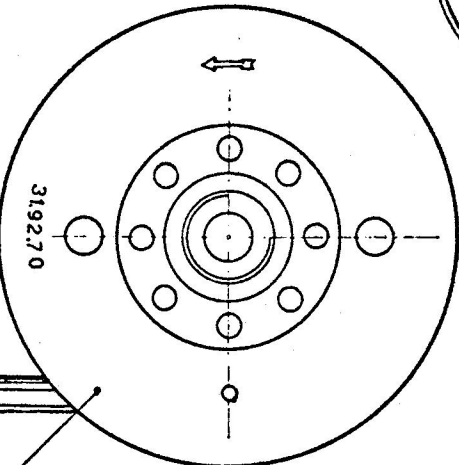
BROWN Cable - Electric system

Black sheath



Transducer

Cable to be connected to the frame (Clean well the contact point)



DUCATI magneto with electronic ignition

