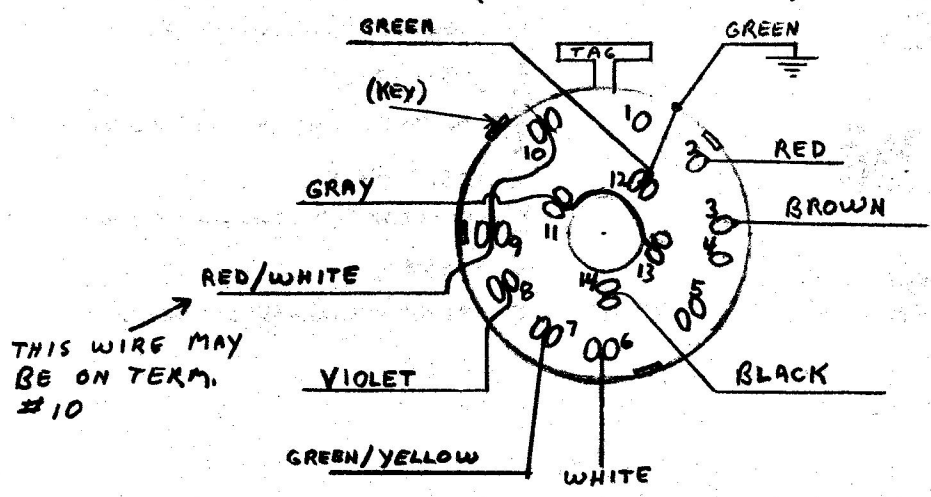


PIC.#1

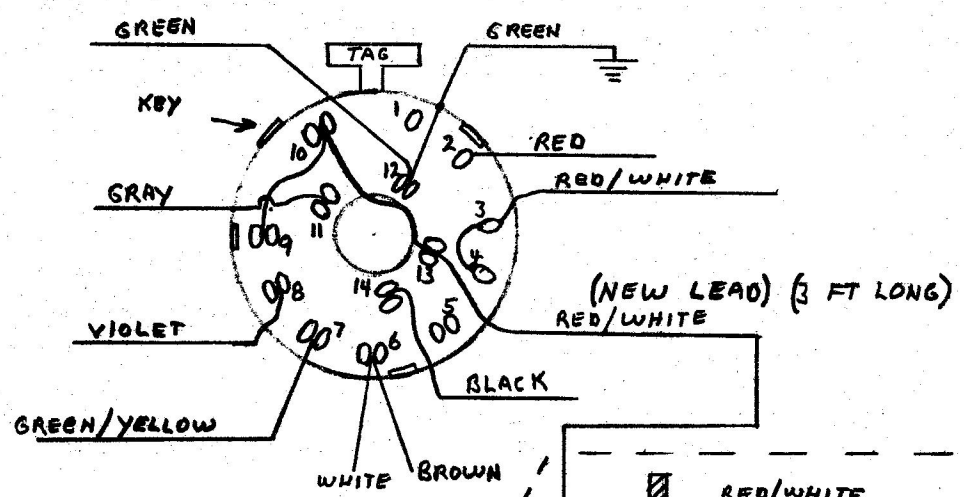
ME-125 SWITCH BEFORE REWIRE (STD.)



NOTE: THE TERMINALS ARE NUMBERED FROM THE FIRST TERMINAL ON THE RIGHT SIDE OF THE TAG

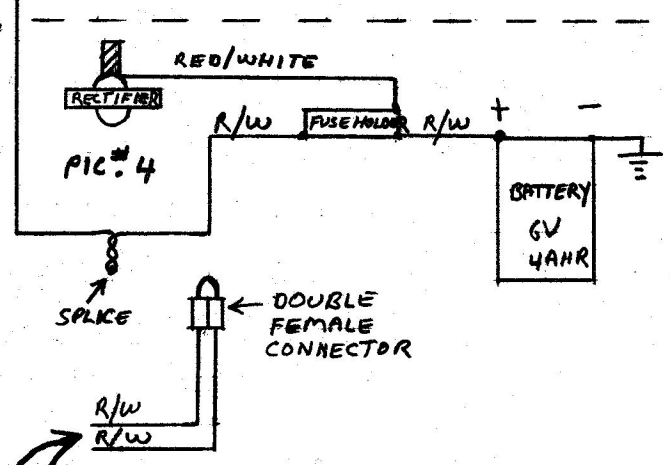
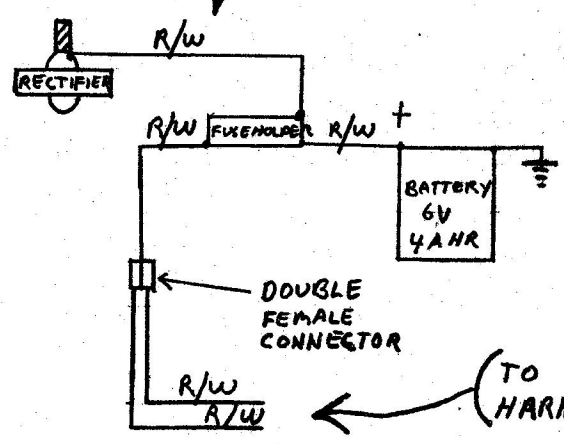
PIC.#2

ME-125 SWITCH AFTER REWIRE (MOD.)



PIC.#3 (STD.)

(MODIFIED)



(TO WIRE HARNESS)

MOD. SWITCH CODE

	$\frac{1}{2}$	R	GR	G/Y	V	BL	W	BR	R/W	NEW WIRE	G
OFF	○	○	○				○	○			
1	○	○	○	○			○	○	○	○	
2	○	○	○	○	○	○	○	○	○	○	○
3	○	○	○				○	○		○	○

